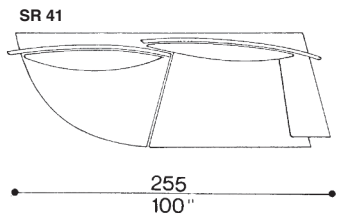
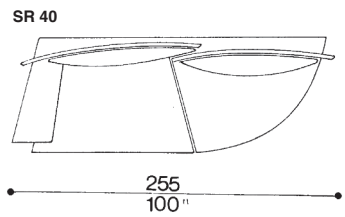
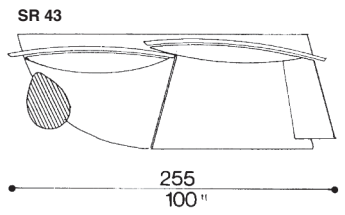
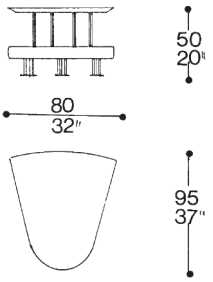


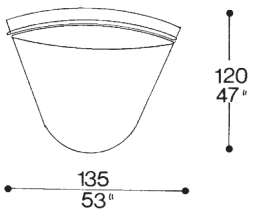
1 ►



SR 47

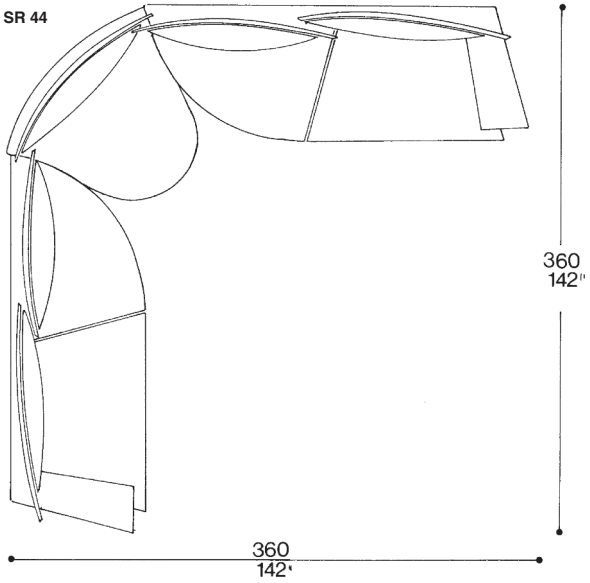


SR 46



3 ▶

SR 44



SR 45

